

Title:

**S.F**

**Ball Valve Trunnoin mounted**

**(Single Seat)**

Specifications:

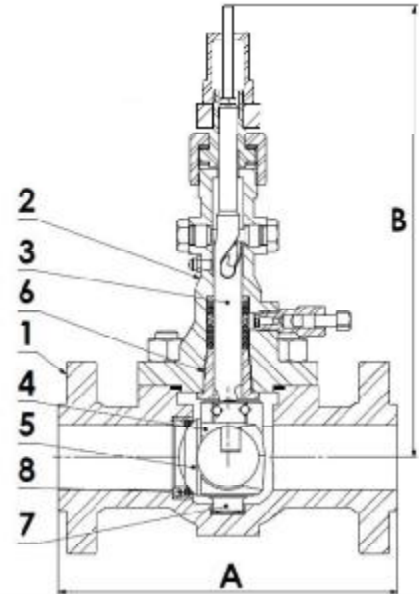
**Top Entry (2 Pieces)**

**Flanged Ends**

**Full Port**

**Trunnoin mounted**

**One piece stem valves, Enclosed bonnet**



STANDARD	
Face to Face Dimention	ANSI B16.10
End Flange Dimention	ANSI B16.5
Design	ANSI B16.34
Basic Design	API608 / API6D
Fire Safe Design	API607

Dimensions and Weight & Material Table:

Part	Description	Material (General)	Material (NACE-MR0175)	Material (Stainless steel)
1	Body	ASTM A216 Gr. WCC	ASTM A216 Gr. WCC	ASTM A351 Gr.CF8M
2	Bonnet	ASTM A216 Gr. WCC	ASTM A216 Gr. WCC	ASTM A351 Gr.CF8M
3	Stem	8620	Monel K-500	Mone K-500
4	Core	ASTM A216 Gr. WCC	ASTM A216 Gr. WCC	ASTM A351 Gr.CF8M
5	Core Face	Nickel	Nickel	Nickel
6	Bonnet Bushing	416 SS	400 SS	400 SS
7	Trunnion Bushing	17-4PH SS	17-4PH SS	660 SS
8	Seat Ring	17-4PH SS	17-4PH SS	410 SS

Size (inch)	Class 150							Class 300							
	Flanged			Butt Weld				Ring Type Joint	Flanged			Butt Weld			Ring Type Joint
	A	B	Wght (Kg)	A	B	Wght (Kg)	A		B	Wght (Kg)	A	B	Wght (Kg)		
1" H	127	400	18	-	-	-	-	165	400	18	-	-	-	-	
1 1/2" H	165	443	27	-	-	-	-	190	443	27	-	-	-	-	
2" H	178	448	27	216	448	25	191	216	448	32	216	448	25	232	
3" H	203	567	36	282	567	41	216	282	567	45	282	567	41	298	
4" H	229	582	82	305	582	100	241	305	582	91	305	582	100	321	
6" H	394	764	172	457	764	136	406	403	764	172	457	764	136	419	
8" H	457	897	236	521	897	213	470	502	897	263	521	948	223	518	
8" G	-	-	-	-	-	-	470	502	778	263	521	897	213	518	
10" H	533	989	517	559	989	453	546	568	989	610	559	989	453	584	
10" G	-	-	-	-	-	-	546	568	989	549	559	1073	491	584	
12" H	61	1178	880	635	1178	780	622	648	1178	925	635	1178	780	664	
12" G	610	1221	918	635	1221	780	622	648	1178	925	635	1221	818	664	
14" G	-	-	-	772	1178	890	699	762	-	993	762	-	995	778	
16" G	762	1556	1610	838	1556	1510	775	838	1556	1674	838	1556	1510	854	
18" G	864	1594	1641	-	-	-	876	-	-	-	-	-	-	930	
20" G	-	-	-	-	-	-	927	991	-	4364	-	-	-	1010	



# Sadra Mahan Parsian

Innovation and Quality

Size (inch)	Class 600							Class 900						
	Flanged			Butt Weld			Ring Type Joint	Flanged			Butt Weld			Ring Type Joint
	A	B	Wght (Kg)	A	B	Wght (Kg)		A	B	Wght (Kg)	A	B	Wght (Kg)	
1" H	216	400	18	216	-	-	-	254	400	27	-	-	-	-
1 1/2" H	241	443	27	241	-	-	-	305	552	45	-	-	-	-
2" H	292	448	32	292	448	25	295	368	552	59	368	552	41	371
3" H	356	567	64	356	567	50	359	381	651	77	381	651	64	384
4" G	-	-	-	-	-	-	435	457	699	136	457	699	282	460
4" H	432	667	118	432	667	100	435	457	667	167	457	667	100	460
6" G	559	945	264	559	945	209	562	610	953	395	610	953	309	613
6" H	559	892	254	559	892	200	562	610	897	358	610	897	272	613
8" H	660	933	426	660	933	358	664	-	-	-	-	-	-	740
8" G	660	985	462	660	985	395	664	737	-	630	737	-	476	740
10" G	787	1197	794	787	1197	680	791	838	-	943	838	-	717	841
12" G	838	1313	1275	838	1313	1098	841	965	-	1533	965	-	1239	968
14" G	889	1313	1583	889	1313	1359	892	-	-	-	-	-	-	1038
16" G	991	-	1814	991	-	1601	994	1130	-	3094	1130	-	-	1140
18" G	-	-	-	-	-	-	1095	-	-	-	-	-	-	1232
20" G	1194	-	4636	1194	-	-	1200	-	-	-	-	-	-	1334

Size (inch)	Class 150,300, 600						Class 900						
	Socket Weld			Threaded			Socket Weld			Threaded			
	A	B	Wght (Kg)	A	B	Wght (Kg)	A	B	Wght (Kg)	A	B	Wght (Kg)	
1" H**	159	400	20	159	400	20	159	400	20	159	400	20	
1 1/2" H	184	443	23	184	443	23	-	-	-	-	-	-	
2" H	GENERAL	216	448	25	216	448	25	248	552	41	216	483	25
	O.S.&Y										270	-	32
3" H	295	-	64	295	651	64	-	-	-	295	651	64	

\*: Fire-safe design upon request manufactured

\*\* : 1 inch (25 mm) size valves have single stem guide.

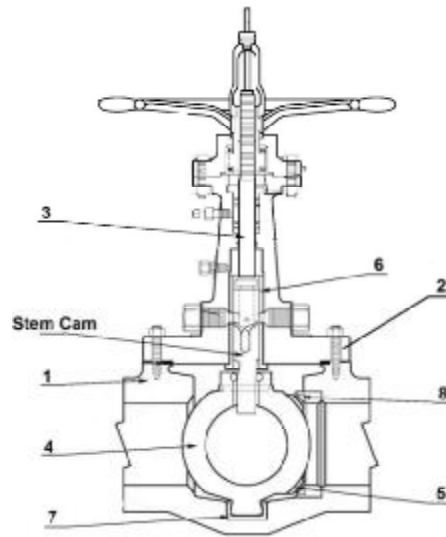
G: Gear Box operated & H: Handwheel operated



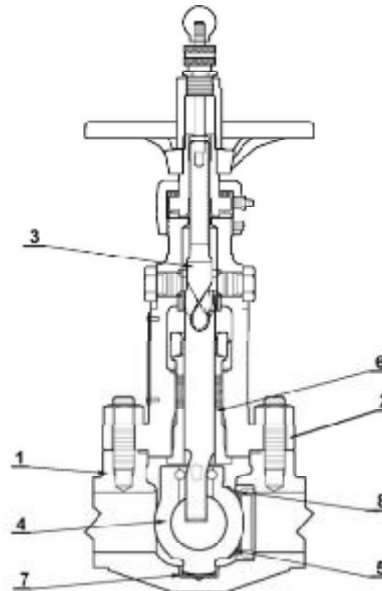
# Sadra Mahan Parsian

Innovation and Quality

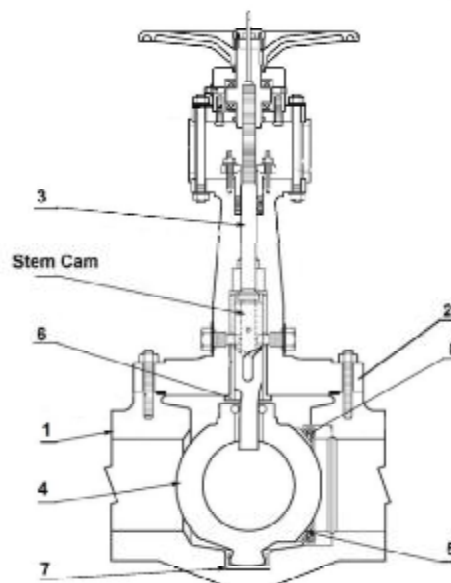
*Two piece stem valves, Enclosed bonnet*



*One piece stem valves , O.S & Y bonnet*



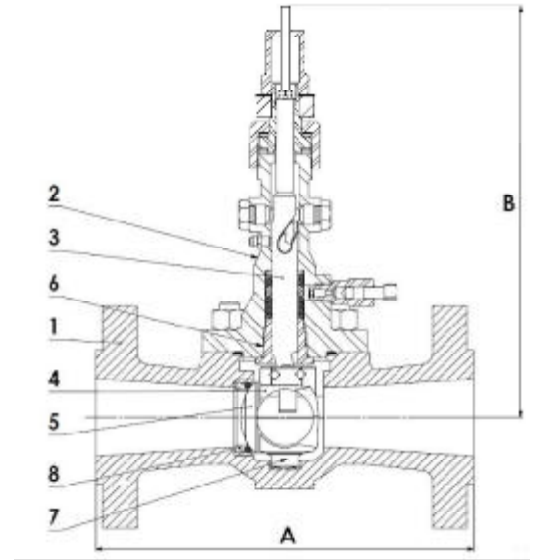
*Two piece stem valves, O.S & Y bonnet*



*Title:*  
**S.R**  
**Ball Valve Trunnoin mounted**  
**(Single Seat)**

*Specifications:*

- Top Entry(2 PIECES)**
- Flanged Ends**
- Reduced Port**
- The piece stem valves, Enclosed bonnet**



STANDARD	
Face to Face Dimention	ANSI B16.10
End Flange Dimention	ANSI B16.5
Design	ANSI B16.34
Basic Design	API608 / API6D
Fire Safe Design	API607

*Dimensions and Weight Table & material:*

part	Description	Material ( General )	Material (NACE-MR0175)	Material (Stainless steel)
1	Body	ASTM A216 Gr. WCC	ASTM A216 Gr. WCC	ASTM A351 Gr.CF8M
2	Bonnet	ASTM A216 Gr. WCC	ASTM A216 Gr. WCC	ASTM A351 Gr.CF8M
3	Stem	8620	K-500	K-500
4	Core	ASTM A216 Gr. WCC	ASTM A216 Gr. WCC	ASTM A351 Gr.CF8M
5	Core Face	Nickel	Nickle	Nickle
6	Bonnet Bushing	416 SS	400 SS	400 SS
7	Trunnion Bushing	17-4PH SS	17-4PH SS	660 SS
8	Seat Ring	17-4PH SS	17-4PH SS	410 SS

Size (inch)	class 150							class 300						
	Flanged			Butt Weld			Ring Type Joint	Flanged			Butt Weld			Ring Type Joint
	A (mm)	B (mm)	Wght. (Kg)	A (mm)	B (mm)	Wght. (Kg)		A (mm)	B (mm)	Wght (Kg)	A (mm)	B (mm)	Wght (Kg)	
2 x 1 1/2 x 2 H	178	443	23	216	-	-	191	216	443	27	216	-	-	232
3 x 2 x 3 H	203	448	32	282	448	32	216	282	448	36	282	448	32	298
4 x 3 x 4 H	229	567	45	305	567	45	241	305	567	54	305	567	45	321
6 x 4 x 6 H	394	582	100	457	582	127	406	403	582	118	457	582	127	419
8 x 6 x 8 H	457	764	177	521	764	209	470	502	764	191	521	764	209	518
8 x 6 x 8 G	-	-	-	521	-	-	470	-	-	-	-	-	-	518
10 x 8 x 10 H	533	897	263	559	778	236	546	568	897	304	559	778	236	584
10 x 8 x 10 G	-	-	-	59	-	-	546	568	948	314	559	948	314	584
12 x 10 x 12 H	610	989	649	635	989	522	622	648	989	712	635	1073	557	664
12 x 10 x 12 G	-	-	-	-	-	-	622	648	1041	750	635	989	522	664
14 x 12 x 14 H	686	1178	957	762	1178	905	699	762	1178	1048	-	-	-	778
14 x 12 x 14 G	686	1221	995	762	1221	942	699	762	1221	1086	-	-	-	778
16 x 12 x 16 H	762	1178	1002	-	-	-	775	838	1178	1139	-	-	-	854
16 x 12 x 16 G	762	1221	1041	-	-	-	775	838	1221	1177	-	-	-	854
18 x 16 x 18 G	864	1556	1619	-	-	-	876	914	1556	1728	914	1556	1732	930
20 x 16 x 20 G	914	1556	1706	-	-	-	927	991	1556	1837	-	-	-	1010
24 x 20 x 24 G	1067	-	-	1143	2389	4564	1080	1143	-	4695	-	-	-	1165



# Sadra Mahan Parsian

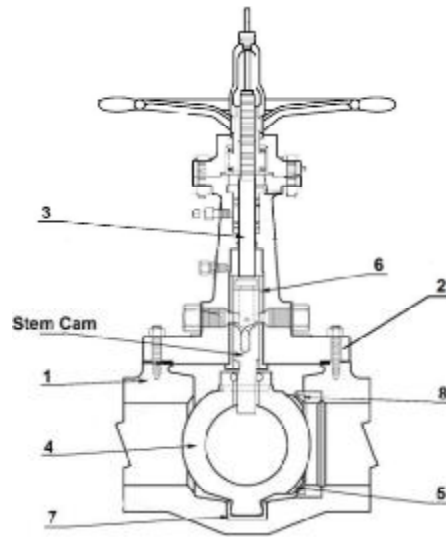
Innovation and Quality

Size (inch)	class 600							Class 900						
	Flanged			Butt Weld			Ring Type Joint	Flanged			Butt Weld			Ring Type Joint
	A (mm)	B (mm)	Wght (Kg)	A (mm)	B (mm)	Wght (Kg)		A (mm)	B (mm)	Wght (Kg)	A (mm)	B (mm)	Wght (Kg)	
2 x 1 1/2 x 2 H	292	433	34	292	-	-	295	368	-	-	-	-	-	371
3 x 2 x 3 H	356	448	50	356	448	25	359	381	552	64	381	552	45	384
4 x 3 x 4 H	432	567	82	432	567	54	435	457	651	91	457	651	82	460
6 x 4 x 6 G	-	-	-	-	-	-	562	610	699	223	610	699	127	613
6 x 4 x 6 H	559	667	168	559	667	127	562	610	667	213	610	667	127	613
8 x 6 x 8 H	660	892	295	660	892	209	664	737	897	454	737	897	277	740
8 x 6 x 8 G	660	945	305	660	945	218	664	737	953	491	737	953	314	740
10 x 8 x 10 H	787	933	508	787	933	408	791	838	-	-	-	-	-	841
10 x 8 x 10 G	787	985	544	787	985	445	791	838	1202	727	838	1202	479	841
12 x 10 x 12 H	-	-	-	-	-	-	841	-	-	-	-	-	-	968
12 x 10 x 12 G	838	1197	921	838	1197	700	841	965	-	1025	-	-	-	968
14 x 12 x 14 H	-	-	-	-	-	-	892	-	-	-	-	-	-	1038
14 x 12 x 14 G	889	1313	1456	889	-	-	892	1029	-	1683	-	-	-	1038
16 x 12 x 16 H	-	-	-	-	-	-	994	-	-	-	-	-	-	1140
16 x 12 x 16 G	991	1313	1547	991	-	-	994	1130	-	1787	-	-	-	1140
18 x 16 x 18 G	1092	-	1932	1092	-	-	1094	1219	-	3284	-	-	-	1232
20 x 16 x 20 G	1194	-	2127	1194	-	-	1200	1321	-	3434	-	-	-	1334
24 x 20 x 24 G	1397	2389	4914	1397	-	-	1407	1549	-	5545	-	-	-	1568

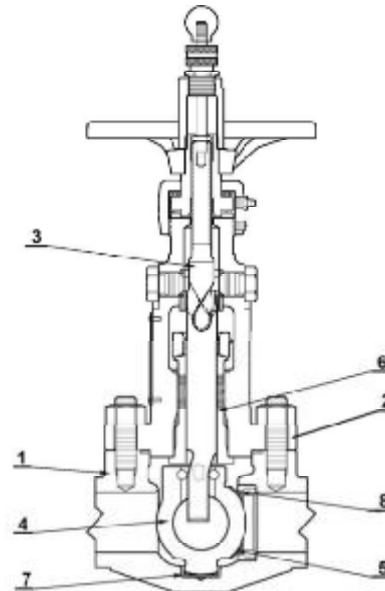
\*: Fire-safe design upon request manufactured

G: Gear Box operated & H: Handwheel operated

*Two piece stem valves, Enclosed bonnet*



*One piece stem valves, O.S & Y bonnet*



*Two piece stem valves, O.S & Y bonnet*

