

Title:

Check Valve

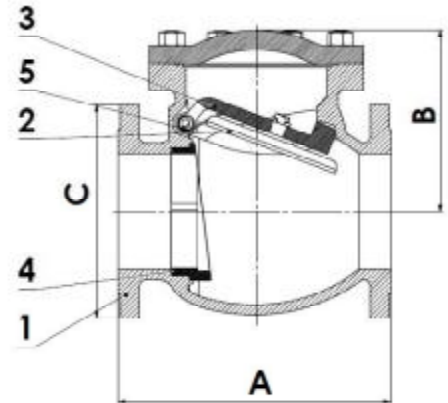
Specifications:

Swing Check valve

Bolted Cover

Flanged Ends

Full Bore



Dimensions and Weight & Material Table:

Part	Description	Material (General)	Material (NACE-MR0175)	Material (Stainless steel)
1	Body	ASTM A216 Gr. WCB	ASTM A217 Gr. WC6	ASTM A351 Gr.CF8M
2	Disc	ASTM A216 Gr. WCB +A479 TP410	ASTM A216 Gr. WC6 +A479 TP410	ASTM A351 Gr.CF8M
3	Hinge	ASTM A216 Gr. WCB	ASTM A217 Gr. WC6	ASTM A351 Gr.CF8M
4	Seat Ring	Carbon Steel + ST. 6	Alloy Steel + ST. 6	-
5	Hinge Pin	ASTM A479 TP410	ASTM A479 TP410	ASTM A479 TP316

Size (inch)	Class 150						Class 300					
	A(mm)			B (mm)	C (mm)	Wght (Kg)	A(mm)			B (mm)	C (mm)	Wght (Kg)
Flanged	Butt Weld	Ring Type Joint	Flanged				Butt Weld	Ring Type Joint				
2"	203	203	216	150	373	17	267	267	283	180	165.1	21
2 1/2"	216	216	229	168	390	21	292	292	308	185	190.5	32
3"	241	241	254	180	421	29	318	318	333	210	209.5	43
4"	292	292	305	210	515	42	356	356	371	270	254	61
5"	330	330	-	230	538	69	400	400	-	345	279.4	84
6"	356	356	368	275	567	74	445	445	460	360	317.9	131
8"	495	495	508	340	626	108	533	533	549	370	381	213
10"	622	622	635	355	712	177	622	622	638	385	444.5	384
12"	699	699	711	410	482.6	282	711	711	727	440	520.7	449
14"	787	787	800	475	533.4	372	838	838	854	520	584.2	680
16"	864	864	876	552	596.9	570	864	864	879	554	647.7	840
Class 600							Face to Face Dimention : API 6D					
Size (inch)	A(mm)			B (mm)	C (mm)	Wght (Kg)	End Flange Dimention : ANSI B16.5					
	Flanged	Butt Weld	Ring Type Joint				Basic Design : API608 / API6D					
2"	292	292	295	197	165.1	36	Fire Safe Design : API607					
2 1/2"	330	330	333	207	190.5	49						
3"	356	356	359	231	209.6	68						
4"	432	432	435	281	273.1	111						
5"	508	508	-	-	-	-						
6"	559	559	562	362	355.6	230						
8"	660	660	664	437	419.1	416						
10"	787	787	791	490	508.0	673						
12"	838	838	841	528	558.8	875						
14"	889	889	892	572	603.3	944						
16"	991	991	994	660	685.8	1220						

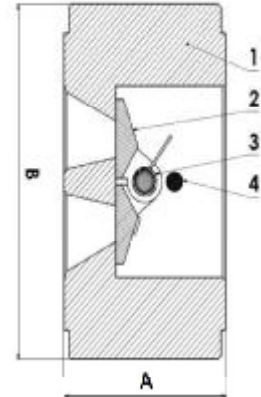
Title:

Check Valve

Specifications:

Dual Plates

Wafer Type



STANDARD	
Face to Face Dimension	API 6D
End Flange Dimension	ANSI B16.5
Design	ANSI B16.34
Basic Design	API608 / API6D
Fire Safe Design	API607

Dimensions and Weight & Material Table:

Part	Description	Material (General)	Material (NACE-MR0175)	Material (Stainless steel)
1	Body	ASTM A216 Gr. WCB	ASTM A216 Gr. WCB	ASTM A351 Gr.CF8M
2	Disc	ASTM A216 Gr. WCB +304 Seal Facing	ASTM A351 Gr.CF8M	ASTM A351 Gr.CF8M
3	Spring	Inconel	ASTM A479 TP316	ASTM A479 TP316
4	Shaft	ASTM A479 TP410	ASTM A479 TP304	ASTM A479 TP316
5	Seal Facing	ASTM A479 TP304	ASTM A479 TP316	-

Size (inch)	Class 150				Class 300				Class 600			
	A(mm)		B (mm)	Wght (Kg)	A(mm)		B (mm)	Wght (Kg)	A(mm)		B (mm)	Wght (Kg)
	Long Pattern	Short Pattern			Long Pattern	Short Pattern			Long Pattern	Short Pattern		
2"	60	19	104	1.2	60	19	111	2.0	60	19	111	2.5
2 1/2"	67	19	123	2.3	67	19	130	2.9	67	19	130	3.4
3"	73	19	136	3.0	73	19	149	5.5	73	19	149	6.3
4"	73	19	174	7.0	73	19	181	9.2	79	22	194	10
6"	98	19	222	15	98	22	251	20	137	29	267	22
8"	127	29	279	23	127	29	308	25	165	38	321	35
10"	146	29	340	30	146	38	362	32	213	57	430	41
12"	181	38	410	37	181	51	423	39	229	60	457	57
14"	184	44	451	49	222	51	486	52	273	67	492	72
16"	191	51	515	62	232	51	539	67	305	73	565	83
18"	203	60	550	78	264	76	596	82	362	83	613	100
20"	219	64	603	97	292	83	654	102	368	92	683	140
24"	222	-	717	125	318	-	775	135	438	-	790	350